



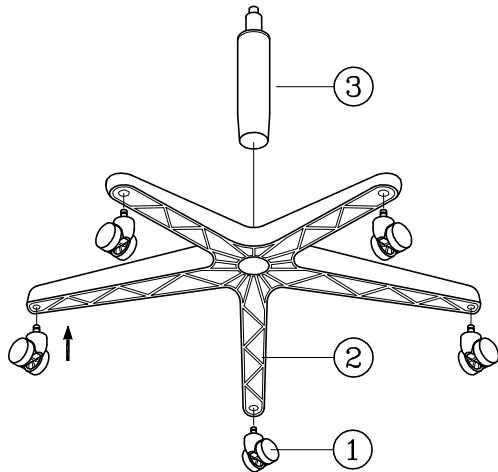
ASSEMBLY INSTRUCTIONS

Remove all items from the carton. Verify all pieces before assembly.

PARTS LIST - Competition Series

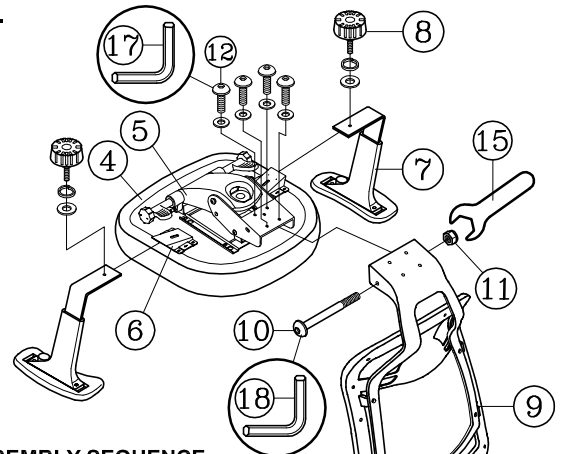
KEY QTY	DESCRIPTION	KEY QTY	DESCRIPTION	KEY QTY	DESCRIPTION
1	5	Caster	8	2	Arm Width Adjustment Knob + Washers
2	1	Base	9	1	Backrest
3	1	Seat Post	10	1	Security Screw 10x205mm
4	1	Seat	11	1	Hex Nut 10mm
5	1	Mechanism	12	4	Mechanism Bracket Screw 8x25mm+Washer
6	2	Arm Bracket	13	1	Plastic Cover
7	2	Armrest	14	1	Headrest
			15	2	Plastic Holder Screw 6x25mm
			16	1	17mm Allen Wrench
			17	1	M5 Size Allen Wrench
			18	1	M6 Size Allen Wrench

STEP 1.



Press the Casters (1) into the holes at the end of each leg of the base (2). Insert the bottom end of the Seat Post (3) into the center hole of the Base (2).

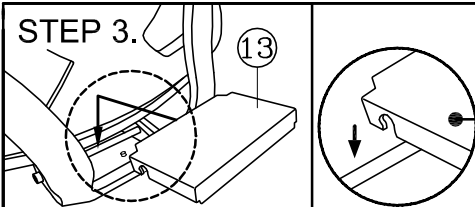
STEP 2.



BACK ASSEMBLY SEQUENCE

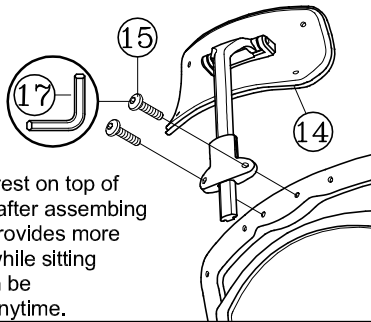
- 1 : Attach Backrest (9) to Mechanism (5) with four Mechanism Bracket Screws & Washers (12).
- 2 : Insert and fasten Security Screw (10) with Hex Nut (11).
- 3 : Insert Left and Right Armrests (7) into the brackets located under each side of the Seat (4).
- 4 : Insert the Arm Width Adjustment knob and Washers (8) through the slots in the Arm Brackets (6) into the hole in the arm.

STEP 3.

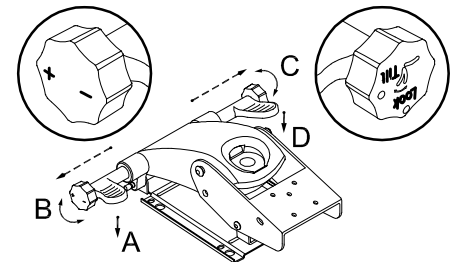
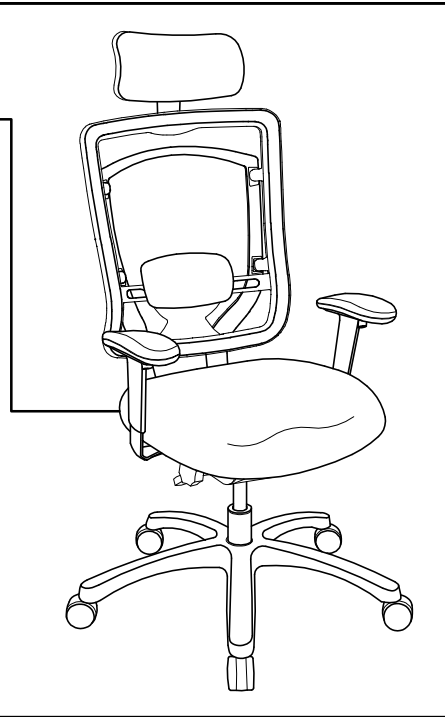


To cover the area where mechanism and backrest are connected, position Plastic Cover (20) over Security Screw (13) and snap into place.

STEP 4. Competition Plus only



Put headrest on top of backrest after assembling chair. It provides more comfort while sitting and it can be remove anytime.



MECHANISM INSTRUCTIONS :

- (A) : Pneumatic seat height adjustment : Lift to adjust seat height.
- (B) : Tilt tension micro adjustment knob : Slightly turn clockwise to increase tilt tension and counter - clockwise to decrease.
(Pull knob (B) out for easy operation)
- (C) : Backrest locking control knob: Turn clockwise to lock backrest in position and counter - clockwise to unlock.
(Pull knob (C) out for easy operation)
- (D) : Seat slide control lever : Lift lever up to slide and release once desirable position is reached.

PREVENTIVE MAINTENANCE AND WARNING!

- USE THIS PRODUCT ONLY FOR SEATING ONE PERSON AT A TIME.
- DO NOT USE THIS CHAIR AS A STEP STOOL / LADDER.
- DO NOT SIT ON ANY PART OF THE CHAIR EXCEPT THE SEAT.
- DO NOT USE CHAIR ON UNEVEN FLOOR SURFACES.
- DO NOT USE CHAIR UNLESS ALL BOLTS, SCREWS AND KNOBS ARE TIGHTENED.
- EVERY SIX MONTHS, PLEASE MAKE SURE ALL BOLTS, SCREWS AND KNOBS ARE FULLY TIGHTENED TO ENSURE STABILITY.
- IF ANY PARTS ARE MISSING, BROKEN, DAMAGED OR WORN, STOP USE OF THE PRODUCT UNTIL REPAIRS ARE MADE USING FACTORY AUTHORIZED PARTS.
- DISPOSE OF PACKAGING PROPERLY. PLASTIC BAG IS NOT A TOY. DO NOT USE PLASTIC BAG AS HEAD COVERING - IT MAY CAUSE SUFFOCATION.
- FAILURE TO FOLLOW THESE WARNINGS COULD RESULT IN SERIOUS INJURY.
- NOTE:SOME SCREWS MAY BE PREASSEMBLED. IF PREASSEMBLED, IGNORE ASSEMBLY INSTRUCTIONS.
- PLEASE KEEP THIS PAGE FOR FUTURE REFERENCE.